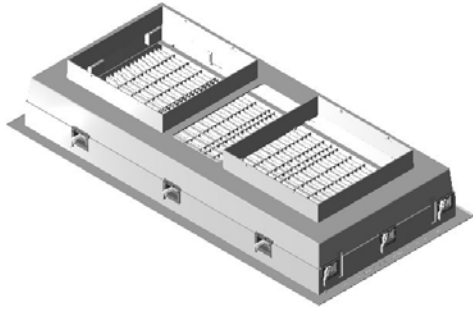


PLASTIC DIFFUSERS AND GRILLES PURTECH RETURN AIR GRILLE

AdvantageAir



FEATURES

- Low cost.
- Scratch resistant.
- Removable core for easy cleaning.
- Complete with leak proof return air box.
- Two return air duct connections to ensure even air distribution across grille and filter.
- Electrostatic filters provides 14% more efficiency than standard filters.
- Accepts standard Advantage Air neck adaptors for quick connection.
- Close tolerances ensure the grille does not whistle.
- Attractive elongated eggcrate core reduces pressure drop across core.
- Hidden mechanical latches ensures the core will not drop.
- Plastic box construction reduces risk of condensation and corrosion.
- Three sizes 1200x600, 900x400 and 750x550.
- 1200x600 model will drop into metric ceiling T-bar system.
- Light weight ridged construction.
- Standard ceiling white.
- Paintable.

CONSTRUCTION

- Grille, box and adaptors are all blended engineering plastics.
- Electrostatic filters are a special combination of materials layered to provide the maximum static charge to capture dust particles.
- Can be internally insulated using 6 mm 'closed cell' polyethylene adhesive material

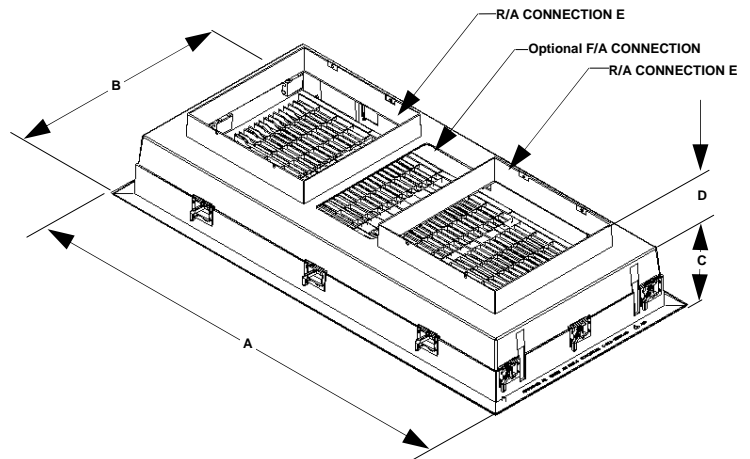
APPLICATIONS

- Ideal for residential and small commercial ducted
- Can also be used for ducted gas heating return air.
- Can be used without filters for air transfer and ventilation systems.

OPTIONAL EXTRAS

- Optional fresh air filter/connection.
- Optional dirty filter alarm to alert owner when filter clean is overdue.
- Optional internal insulation for high humidity climates.
- Optional double layer or 3 layer filter.

DIMENSIONS



| MODEL NO. | A O/all Length mm | B O/all Width mm | C mm | D mm | E R/A Connection mm | F F/A Connection mm | Max O/all Height with Adaptors mm | Effective face area M ² |
|-----------|-------------------|------------------|------|------|---------------------|---------------------|-----------------------------------|------------------------------------|
| PUR1260 | 1195 | 595 | 155 | 60 | 200 to 400 | 200 to 300 | 275 | 0.529 |
| PUR9040 | 973 | 466 | 155 | 60 | 200 to 400 | 150 to 200 | 348 | 0.309 |
| PUR7555 | 800 | 595 | 160 | 18 | 200 to 550 | 150 to 200 | 281 | 0.337 |

**PLASTIC DIFFUSERS AND GRILLES
PURTECH RETURN AIR GRILLE
AVAILABLE OPTIONS**



| | MODEL NO. | SIZE (MM) | INTERNAL INSULATION | FRESH AIR FILTER OPENING | DIRTY FILTER ALARM |
|-----------|------------|-----------|---------------------|--------------------------|--------------------|
| OPTION 1 | PUR9040A | 900X400 | | | YES |
| OPTION 2 | PUR9040AI | 900X400 | YES | | YES |
| OPTION 3 | PUR9040B | 900X400 | | | |
| OPTION 4 | PUR9040BI | 900X400 | YES | | |
| OPTION 5 | PUR9040F | 900X400 | | YES | |
| OPTION 6 | PUR9040FA | 900X400 | | YES | YES |
| OPTION 7 | PUR9040FAI | 900X400 | YES | YES | YES |
| OPTION 8 | PUR9040FI | 900X400 | YES | YES | |
| OPTION 9 | PUR1260A | 1200X600 | | | YES |
| OPTION 10 | PUR1260AI | 1200X600 | YES | | YES |
| OPTION 11 | PUR1260B | 1200X600 | | | |
| OPTION 12 | PUR1260BI | 1200X600 | YES | | |
| OPTION 13 | PUR1260F | 1200X600 | | YES | |
| OPTION 14 | PUR1260FA | 1200X600 | | YES | YES |
| OPTION 15 | PUR1260FAI | 1200X600 | YES | YES | YES |
| OPTION 16 | PUR1260FI | 1200X600 | YES | | YES |
| OPTION 17 | PUR7555A | 750X550 | | | YES |
| OPTION 18 | PUR7555AI | 750X550 | YES | | YES |
| OPTION 19 | PUR7555B | 750X550 | | | |
| OPTION 20 | PUR7555BI | 750X550 | YES | | |
| OPTION 21 | PUR7555F | 750X550 | | YES | |
| OPTION 22 | PUR7555FA | 750X550 | | YES | YES |
| OPTION 23 | PUR7555FAI | 750X550 | YES | YES | YES |
| OPTION 24 | PUR7555FI | 750X550 | YES | YES | |

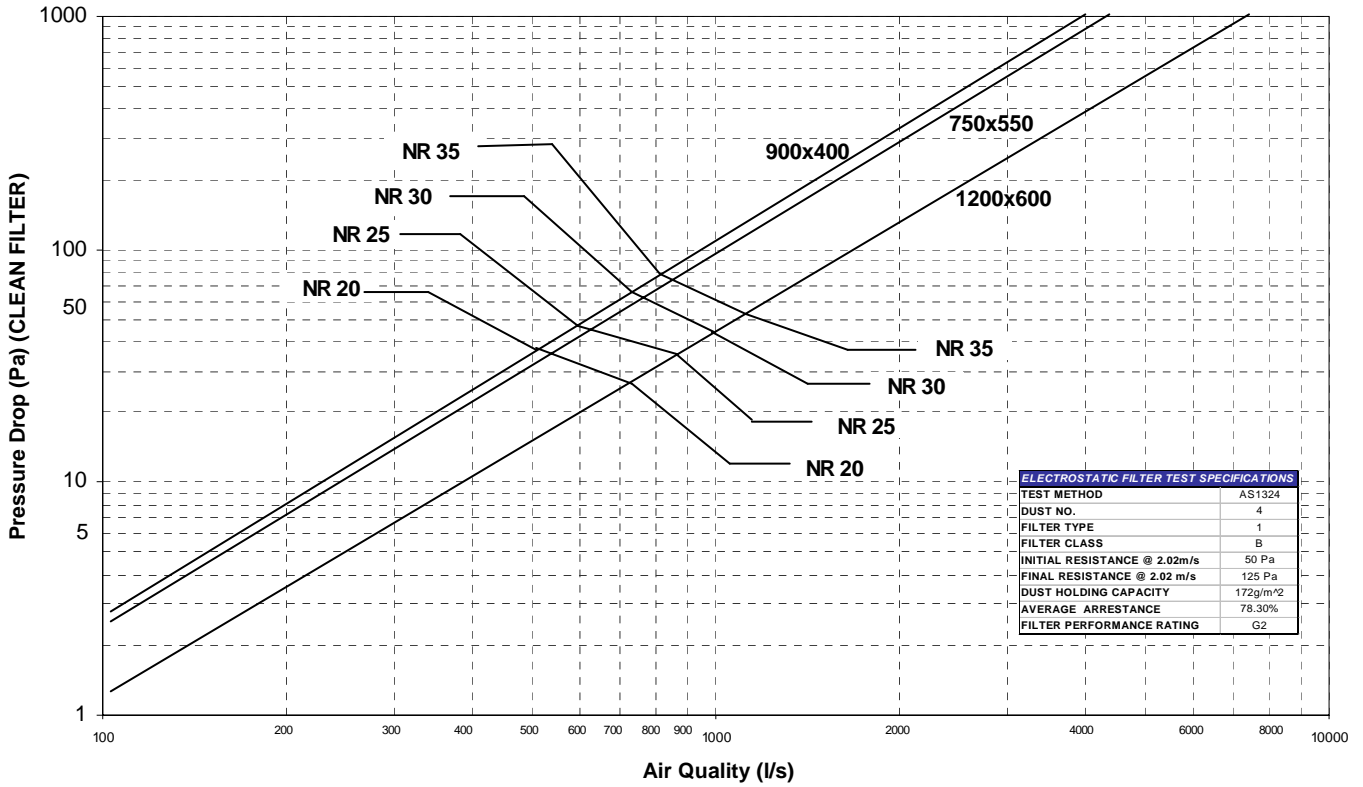
Purtech grilles prices include neck adaptors but exclude filters. Select required filters from the price list relevant to your location.

Insulated Purtech and Slimline grilles are available on request. Refer to your local branch for price & lead time required.

PLASTIC DIFFUSERS AND GRILLES PURTECH RETURN AIR GRILLE PERFORMANCE DATA



PURTECH RETURN AIR GRILLE WITH 3 LAYER ELECTROSTATIC FILTER



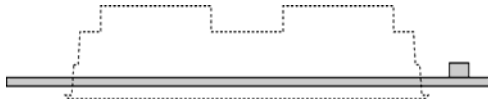
PLASTIC DIFFUSERS AND GRILLES PURTECH INSTALLATION INSTRUCTIONS

AdvantageAir

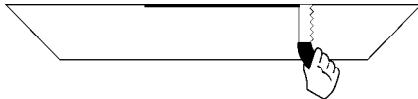
1. Select the required position for the return air grille. Ensure there are no obstructions above the ceiling in the selected location. Mark hole cut size for the grille as follows:

- 900 x 400 grille: **holes size L 925mm x W 405mm**
- 1200 x 600 grille: **hole sizes L 1145mm x W 540mm**
- 750 x 550 grille: **hole sizes L 745mm x W 535mm**

2. If it is necessary to cut off existing ceiling battens, the installer must fit additional supports to ensure that the structural integrity of the ceiling is maintained.

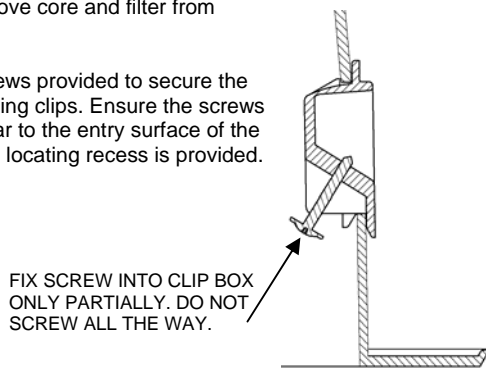


3. Carefully cut opening in ceiling.

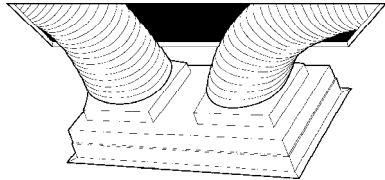


4. Carefully remove core and filter from return air box.

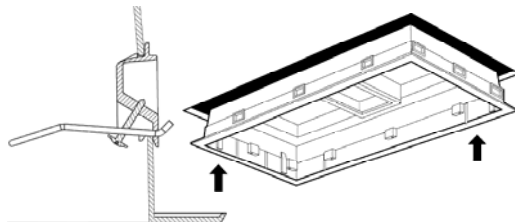
5. Pre-fix all screws provided to secure the metal spring ceiling clips. Ensure the screws are perpendicular to the entry surface of the clip box. A small locating recess is provided.



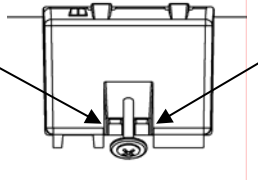
6. Pull the duct/neck adaptors through the ceiling opening and clip the neck adaptors onto the box.



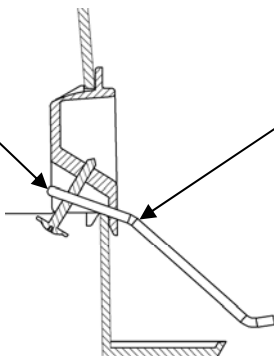
7. Pre-load a few spring clips prior to positioning the box up through the opening. Fix these in place to allow further clips to be installed.



8. Insert the metal spring clips into the clip box guide holes and push through.



9. The spring clip must not protrude past the back of the clip box.



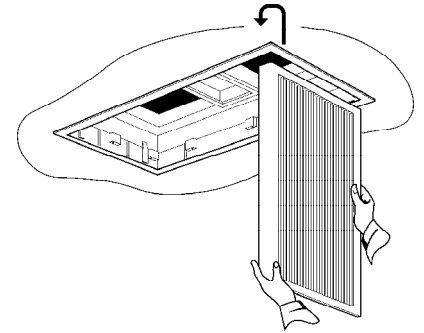
ENSURE CLIP BEND PASSES THROUGH THE CLIP BOX OPENINGS.

10. Insert the remaining spring clips this way and tighten screws lightly.

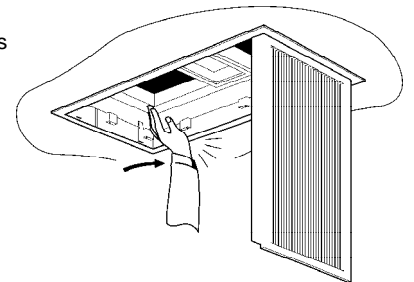
11. Check frame is correctly positioned and is square.

12. Tighten screws sufficiently to hold grille in position.

13. Install core without filter and hinge up.

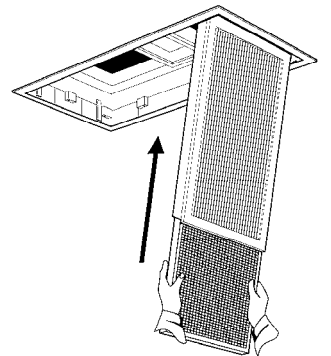
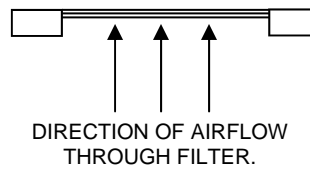


14. Ensure core does not bind on the frame. If core is binding on the frame loosen off the spring clip screws and square up the frame.

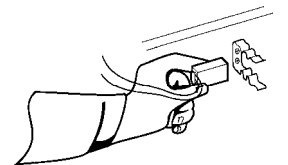


15. Tighten all spring clip screws.

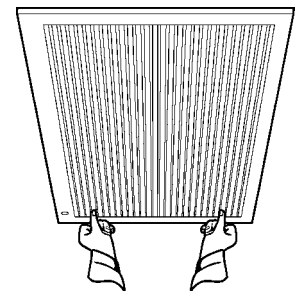
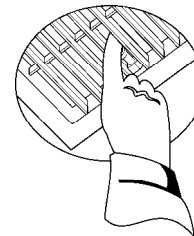
15. Install return air filters and/or fresh air filters. Ensure the filters are installed with the recess part of the filter facing down.



16. If optional dirty alarm filter is used install a standard 9 volt battery (EN22 type) in the dirty filter alarm holder.



17. Hinge filter up and fasten with the two latches.



18. Please recycle all packaging.



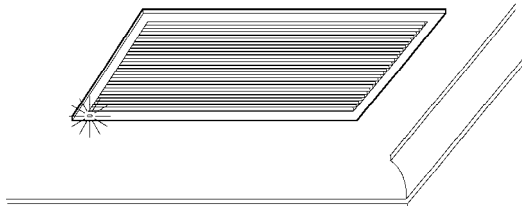
No liability

Make sure you read and understand all the installation instructions before you install this Purtech Return air grille. Advantage Air (Aust) Pty Ltd does not accept any responsibility for any loss or damage that may be caused either directly or indirectly by the installation of this Purtech Return air grille.

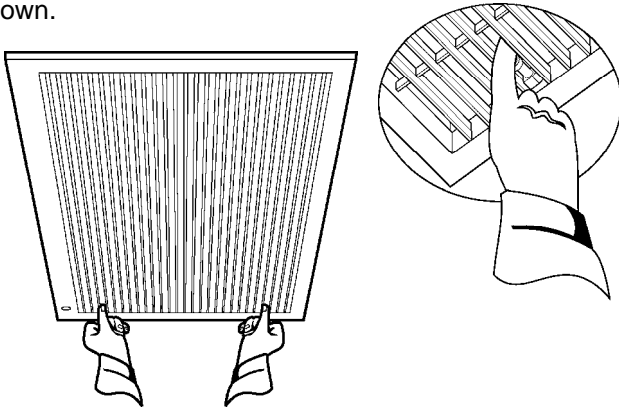
PLASTIC DIFFUSERS AND GRILLES PURTECH MAINTENANCE INSTRUCTIONS

AdvantageAir

1. The filter should be cleaned at the beginning of summer each year or when the red light on frame starts flashing.



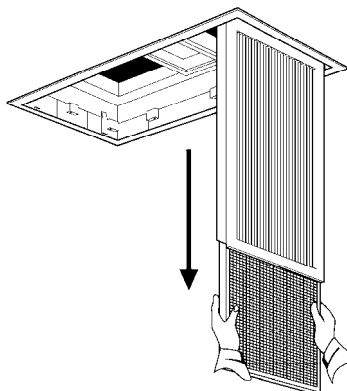
2. Switch the air conditioning unit OFF. (The light will stop flashing)
3. Unfasten the two end core clips and hinge the core down.



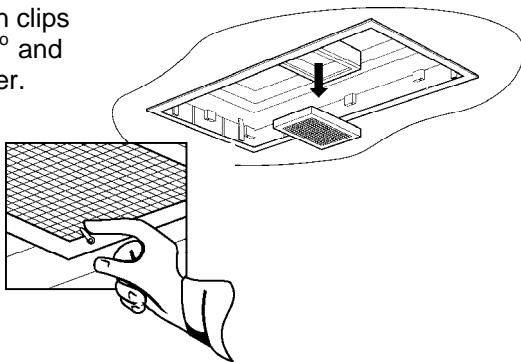
4. Slide the filter out from the core.

5. Wash in warm soapy water and rinse.

6. Dry under shade.



7. If a fresh air filter is fitted turn clips through 90° and remove filter.

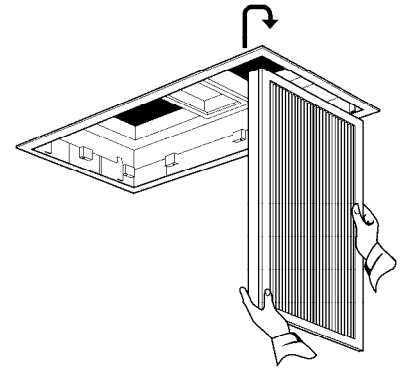


8. Wash filter in warm soapy water and rinse well.
9. Dry under shade.

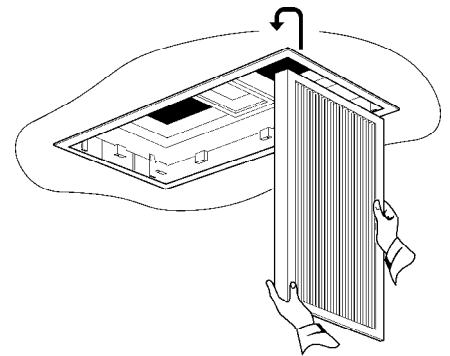
10. If the grille core requires cleaning.

11. Lift and unclip core.

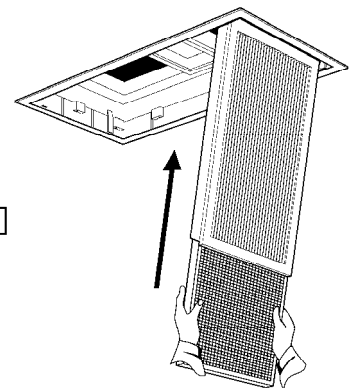
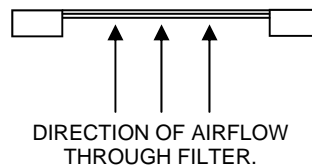
12. Wash in warm soapy water, rinse and dry.



13. To install grille core after cleaning, lift up into return air box pull forward and allow to drop gently.



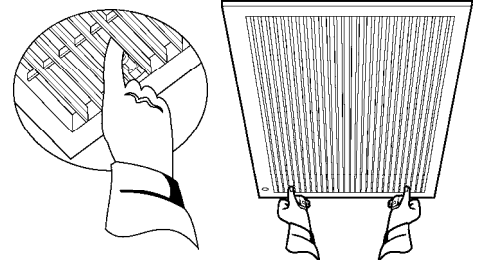
15. To ensure air flow through the filter is in the correct direction. Install the filter/s with the recess part of the filter facing down.



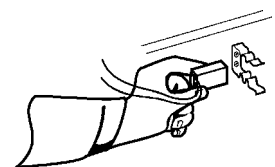
16. Slide the filter into core.

17. Push up at a slight angle until it clips into place.

18. Hinge filter up and fasten with the two latches.



19. It is very important to replace the battery every twelve months with a standard 9 volt battery (EN22 type).



No liability

Make sure you read and understand all the installation instructions before you install this Purtech Return air grille. Advantage Air (Aust) Pty Ltd does not accept any responsibility for any loss or damage that may be caused either directly or indirectly by the installation of this Purtech Return air grille.