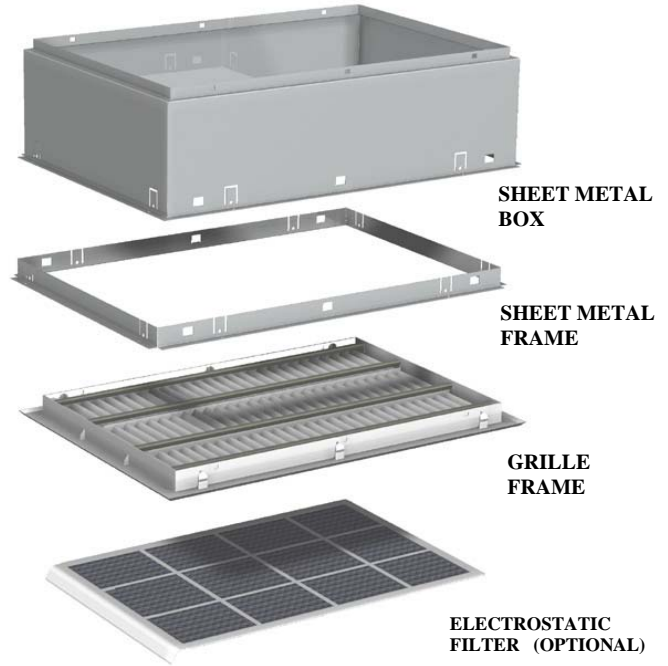


PLASTIC DIFFUSERS AND GRILLES

SLIMLINE HEATING RETURN AIR GRILLE

AdvantageAir



FEATURES

- Low cost
- Front loading and removal of filter (optional)
- Light weight rigid plastic construction
- Scratch resistant
- Suitable for ceiling installations
- All plastic construction reduces risk of condensation and corrosion.

CONSTRUCTION

- Grille frame is constructed from ABS blended engineering plastics
- Filter frame and media are constructed from Polypropylene plastic to provide maximum static charge to capture dust particles

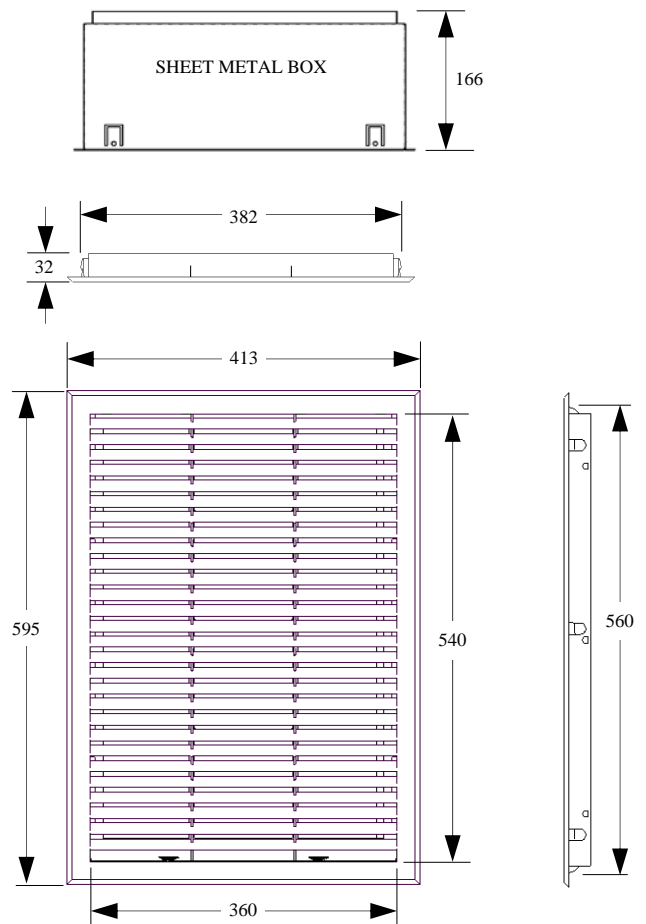
APPLICATIONS

- Ideal for residential and small commercial ducted gas heating and reverse cycle return air systems.
- Can be used without filters for air transfer and ventilation systems

OPTIONAL EXTRAS

- Removable electrostatic filter
- Sheet metal installation frame
- Sheet metal box for ceiling return air applications.
- Suitable for connection to standard Advantage Air neck adaptors for ducting.

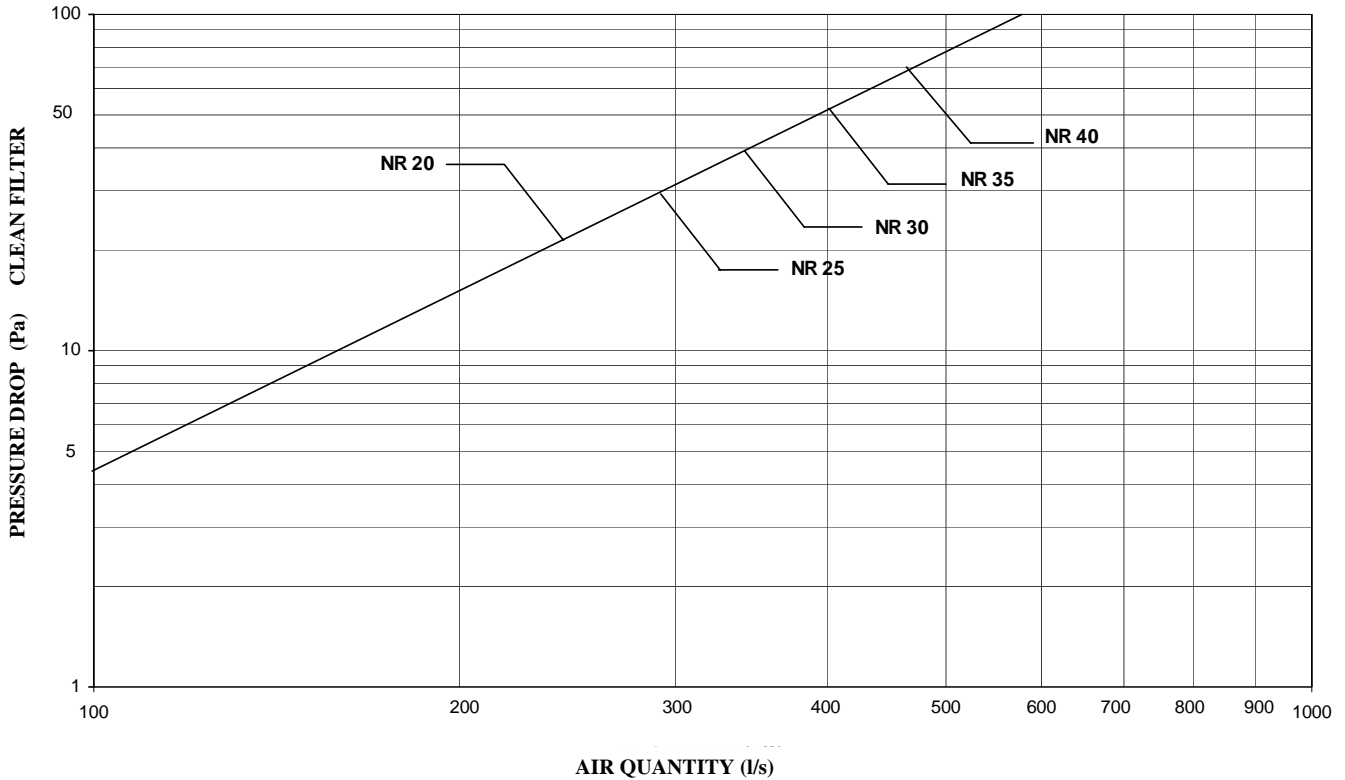
DIMENSIONS



PLASTIC DIFFUSERS AND GRILLES SLIMLINE PERFORMANCE CHART

AdvantageAir

SLIMLINE HEATING RETURN AIR GRILLE



HONEYCOMB FILTER TEST SPECIFICATIONS

TEST METHOD	ASHRAE STANDARD 52.1-1992
TEST DUST	ASHRAE
INITIAL RESISTANCE @ 1.02m/s	10 Pa
FINAL RESISTANCE @ 1.02m/s	250 Pa
AVERAGE ATMOSPHERIC DUST SPOT EFFICIENCY	< 20%
DUST HOLDING CAPACITY	237g/m ²
AVERAGE ARRESTANCE	54.00%

LEGEND

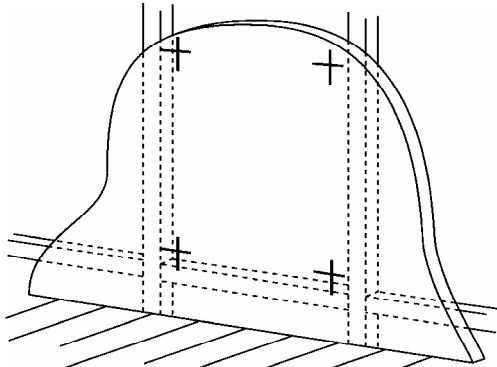
NR - Noise Rating

NB. TEST DATA IS BASED ON THE (GRILLE FRAME + FILTER) CONFIGURATION

PLASTIC DIFFUSERS AND GRILLES SLIMLINE INSTALLATION WITHOUT SHEET METAL FRAME

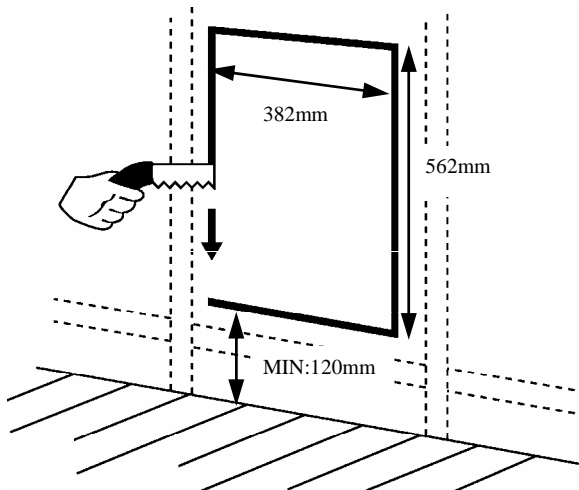
AdvantageAir

1. Check the proposed location for the Heating Return Air Grille. Ensure the installation of the grille does not require the cutting of any structural members.

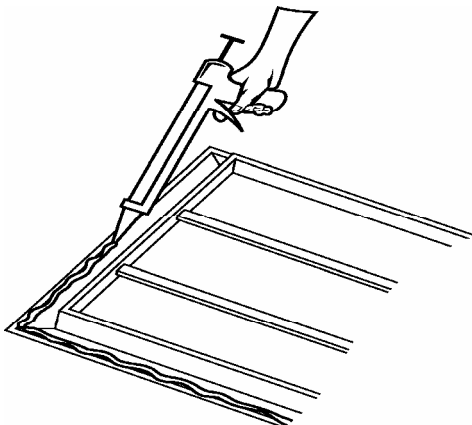


2. Cut out the hole size as follows:

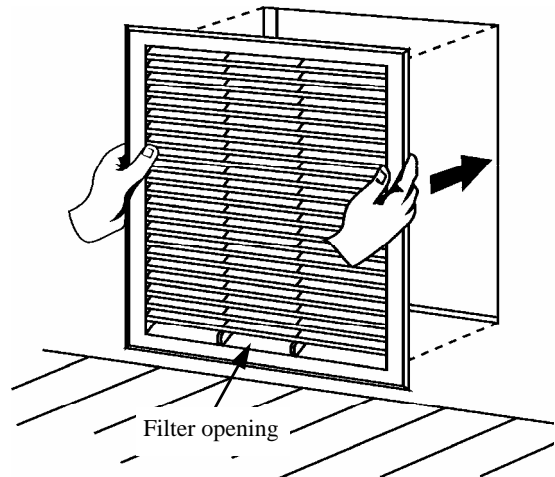
- **Hole size: 382mm x 562mm**
Ensure a minimum distance of 120mm between the bottom edge of the hole and the floor.
This facilitates removal of the filter for cleaning.



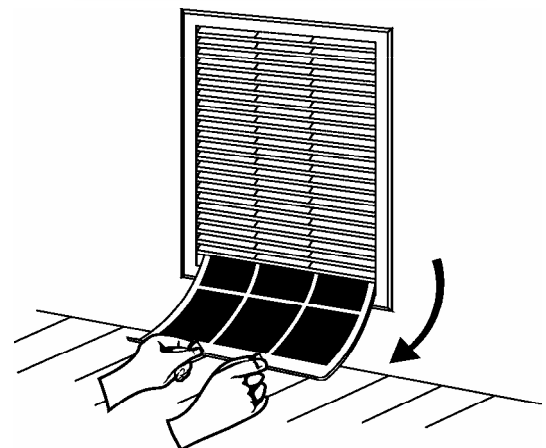
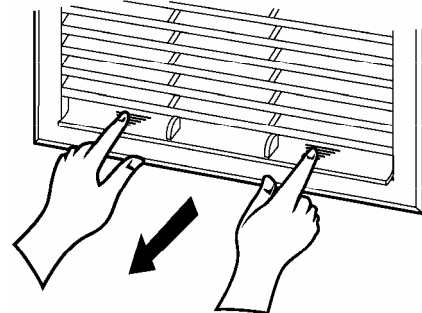
3. Turn the grille around and apply adhesive along the back edges of the grille frame.



4. Ensure the grille is in the correct orientation (filter opening should be at the bottom). Carefully push the grille through the hole and ensure that it is flat and square. Support the frame in the required position while the adhesive sets.



5. To clean the filter, simply slide the whole filter out of the grille frame and wash with warm soapy water.



6. If required, replacement filters can be purchased from Advantage Air.

7. Please recycle all packaging.



No liability

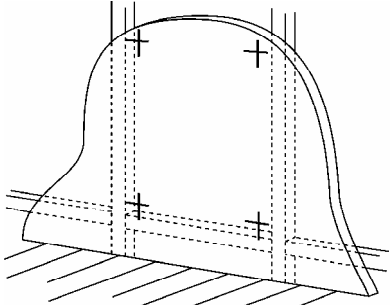
Make sure you read and understand all the installation instructions before you install this Slimline Return air grille. Advantage Air (Aust) Pty Ltd does not accept any responsibility for any loss or damage that may be caused either directly or indirectly by the installation of this Slimline Return air grille.

PLASTIC DIFFUSERS AND GRILLES SLIMLINE

AdvantageAir

INSTALLATION WITH SHEET METAL FRAME OR BOX

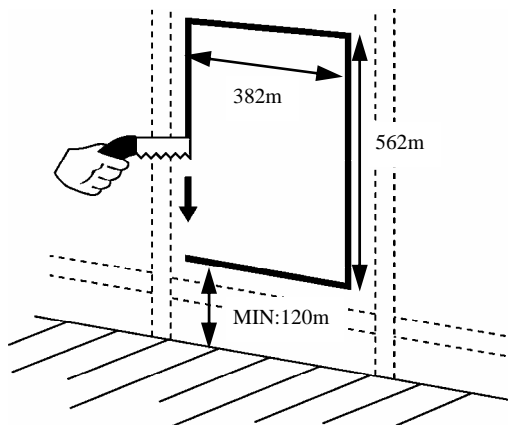
1. Check the proposed location for the Heating Return Air Grille. Ensure the installation of the grille does not require the cutting of any structural members.



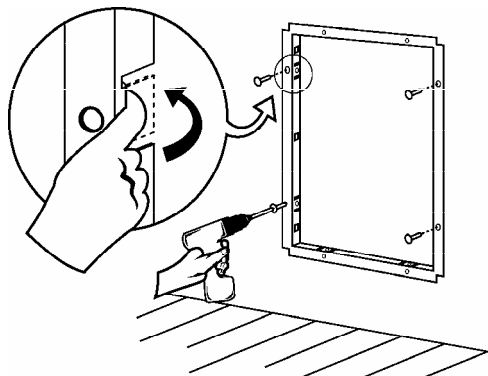
2. Cut out the hole size as follows:

- **Hole size: 382mm x 562mm**

Ensure a minimum distance of 120mm between the bottom edge of the hole and the floor. This facilitates removal of the filter for cleaning.

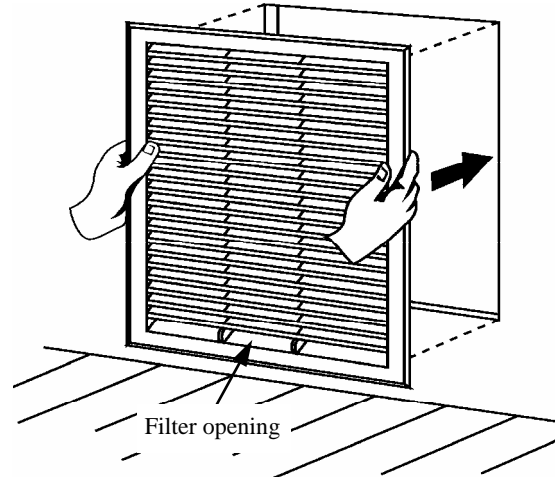


3. Carefully place the sheet metal frame into the hole and make sure that it is flat and square. Secure the sheet metal frame with screws or by bending the metal tabs over the gyprock sheeting.

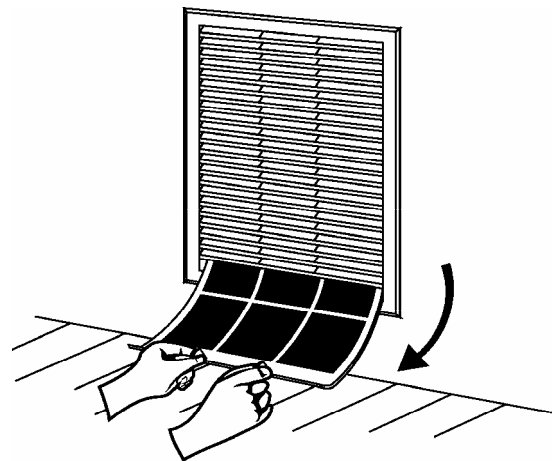
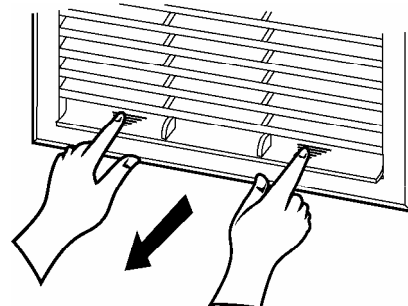


NOTE: when using the sheet metal box for ceiling applications, use **flexible** (PVC) duct tape to run along the inside bottom edge of the box to seal the openings once the box is installed in the ceiling.

4. Ensure the grille is in the correct orientation (filter opening should be at the bottom). Push the grille into the sheet metal frame. Ensure all clips are properly engaged.



5. To clean the filter, simply slide the whole filter out of the grille frame and wash with warm soapy water.



6. If required, replacement filters can be purchased from Advantage Air.

7. Please recycle all packaging.



No liability

Make sure you read and understand all the installation instructions before you install this Slimline Return air grille. Advantage Air (Aust) Pty Ltd does not accept any responsibility for any loss or damage that may be caused either directly or indirectly by the installation of this Slimline Return air grille.