

CONTROLS

SONIC-DRIVE 240 VOLT DAMPER MOTORS

AdvantageAir



FEATURES

- 240 Volts.
- Drive return.
- Motor switches off when not driving saving energy and running costs.
- External indicator shows damper position.
- Low profile enables damper to fit in tight spaces
- Comes preinstalled and tested on Advantage Air Exact Air Regulators and Advantage Air barrel dampers.
- Fast 16 second open to closed drive time.
- Powerful 2.5Nm-torque motor will drive any Advantage Air damper
- Extra long 1.5 meter cord for easier electrical connection.
- Low cost
- Quiet operation
- Colour coded for easy identification (240V motor has black lid)
- Three point positive fixing system allows motor to be installed upside down
- Tough external casing
- Plastic shaft adaptor prevents “cold bridging”

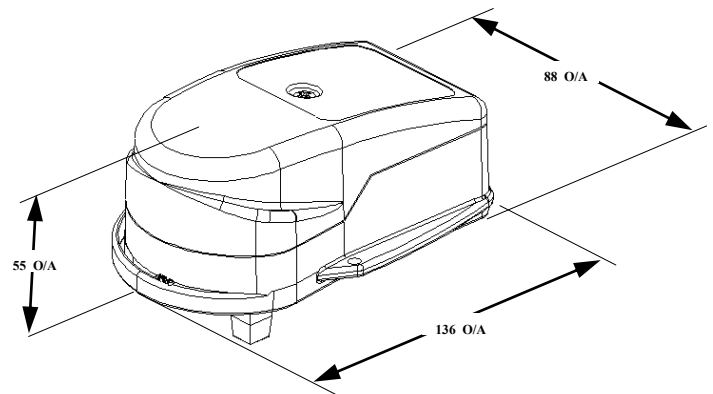
CONSTRUCTION

- Body and lid is injection moulded from a blended engineering plastic.

APPLICATIONS

- Suitable for all domestic and commercial two position (open, closed) applications under 2.5 Nm.
- Suitable for all Exact Air Regulators and Advantage Air barrel dampers 150 dia to 550.

DIMENSIONS



CONTROLS

SONIC-DRIVE 240 VOLT DAMPER MOTORS - INSTALLATION INSTRUCTIONS

AdvantageAir



APPLICATION

- The Sonic-Drive damper actuator is a 240V AC drive open drive close damper actuator.
- Used to control air flow in low pressure air conditioning ducts.
- This product is designed specifically to be used on Advantage Air's range of Exact Air Regulators and is pre-installed onto the Exact Air Regulator damper.

SPECIFICATION

- ELECTRICAL RATING: 240 VAC 50 Hz 0.03 A.
- TORQUE: 2.5Nm.
- ACTUATOR CYCLE TIME: 16s (from fully open to fully closed).

WIRING

All wiring must comply with local electrical codes and ordinances. See Figure. 1 for typical wiring connection to the damper actuator.

WARNING !

- **DO NOT CONNECT ANY OTHER MOTOR OR DEVICES ONTO THE SAME SWITCH!**
- **DO NOT ATTEMPT TO SIMULATE OPERATION OF THE DAMPER ACTUATOR BY ROTATING THE CONNECTION COUPLING AND/OR DAMPER BLADES.**

ABUSE OF THIS NATURE CAN RESULT IN PERMANENT DAMAGE TO THE DAMPER ACTUATOR.

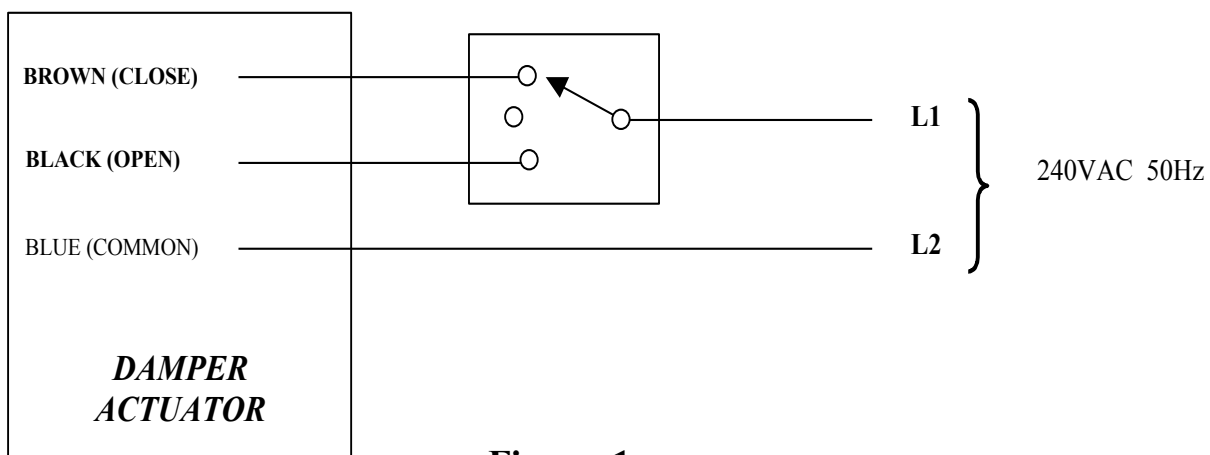


Figure. 1

CONTROLS EXTRA LOW VOLTAGE- 24 VOLT DAMPER MOTORS

AdvantageAir



FEATURES

- 24 Volts AC.
- Drive return.
- Motor switches off when not driving saving energy and running costs.
- External indicator shows damper position.
- Low profile enables damper to fit in tight spaces
- Comes preinstalled and tested on Advantage Air Exact Air Regulators and Advantage Air barrel dampers.
- Fast 16 second open to closed drive time.
- Powerful 2.5Nm-torque motor will drive any Advantage Air damper
- Extra long 1.5 meter cord for easier electrical connection.
- Low cost
- Quiet operation
- Colour coded for easy identification (24V motor has yellow lid)
- Three point positive fixing system allows motor to be installed upside down
- Tough external casing
- Plastic shaft adaptor prevents “cold bridging”

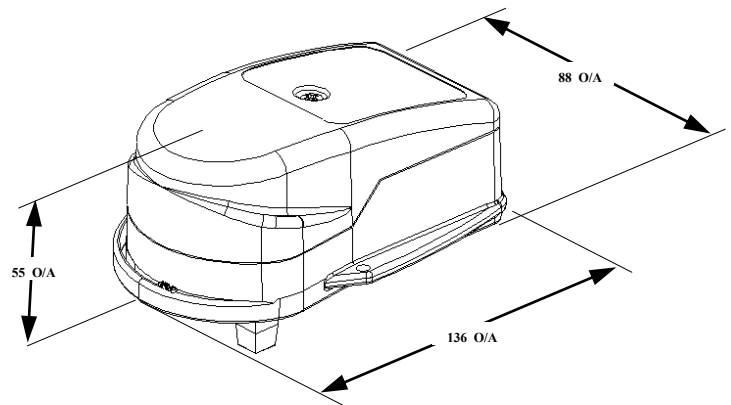
CONSTRUCTION

- Body and lid is injection moulded from a blended engineering plastic.

APPLICATIONS

- Suitable for all domestic and commercial two position (open, closed) applications under 2.5 Nm.
- Suitable for all Exact Air Regulators and Advantage Air barrel dampers 150 dia to 550.

DIMENSIONS



CONTROLS

EXTRA LOW VOLTAGE - 24 VOLT DAMPER MOTORS

INSTALLATION INSTRUCTIONS

AdvantageAir



APPLICATION

- The ELV24 damper actuator is a 24V AC drive open drive close damper actuator.
- Used to control air flow in low pressure air conditioning ducts.
- This product is designed specifically to be used on Advantage Air's range of Exact Air Regulators and is pre-installed onto the Exact Air Regulator damper.

SPECIFICATION

- ELECTRICAL RATING: 24 VAC 50 Hz 5VA.
- TORQUE: 2.5Nm.
- ACTUATOR CYCLE TIME: 16s (from fully open to fully closed).

WIRING

All wiring must comply with local electrical codes and ordinances. See Figure. 1 for typical wiring connection to the damper actuator.

WARNING !

- DO NOT CONNECT ANY OTHER MOTOR OR DEVICES ONTO THE SAME SWITCH!
- DO NOT ATTEMPT TO SIMULATE OPERATION OF THE DAMPER ACTUATOR BY ROTATING THE CONNECTION COUPLING AND/OR DAMPER BLADES.

ABUSE OF THIS NATURE CAN RESULT IN PERMANENT DAMAGE TO THE DAMPER ACTUATOR.

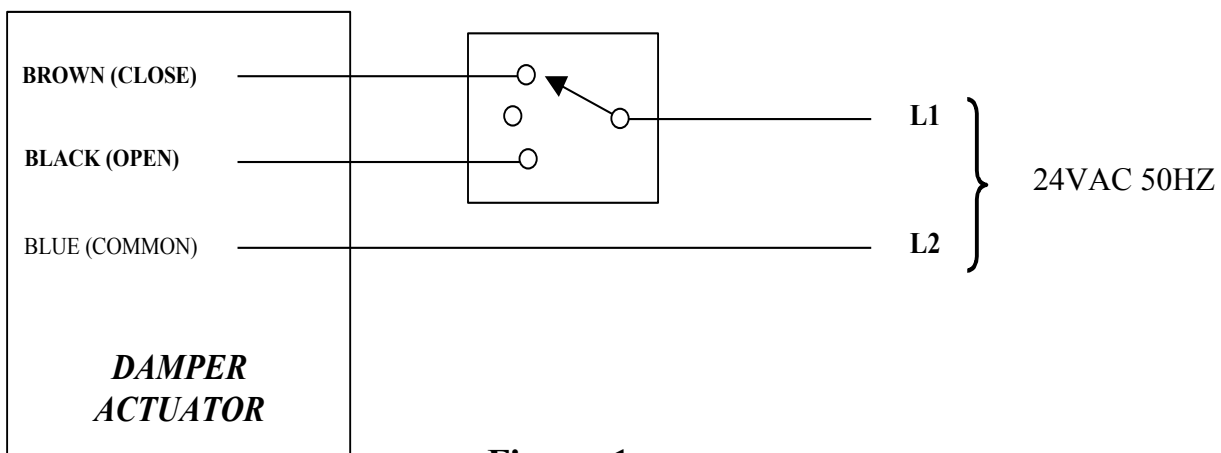


Figure. 1

CONTROLS EXTRA LOW VOLTAGE- CLIP IN 24 VOLT DAMPER MOTORS

AdvantageAir



FEATURES

- Grey in colour.
- 24 Volts AC.
- Drive return.
- Motor switches off when not driving saving energy and running costs.
- External indicator shows damper position.
- Low profile enables damper to fit in tight spaces
- Comes preinstalled and tested on Advantage Air Exact Air Regulators and Advantage Air barrel dampers.
- Fast 16 second open to closed drive time.
- Powerful 2.5Nm-torque motor will drive any Advantage Air damper
- RJ 12 clip in connection (for easier connection).
- Low cost
- Quiet operation
- Colour coded for easy identification (Clip 24V motor has grey lid)
- Three point positive fixing system allows motor to be installed upside down
- Tough external casing
- Plastic shaft adaptor prevents “cold bridging”

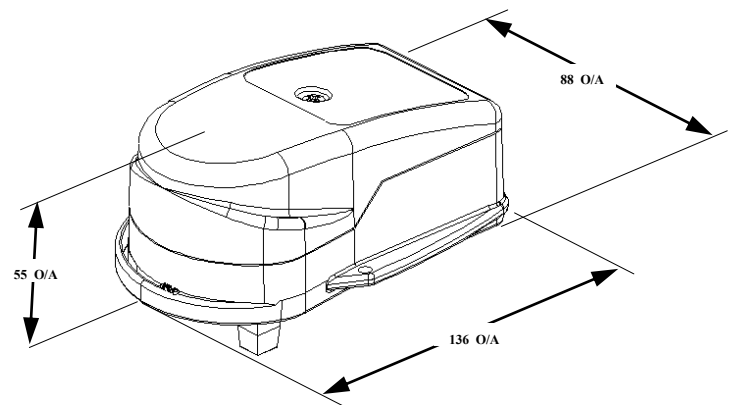
CONSTRUCTION

- Body and lid is injection moulded from a blended engineering plastic.

APPLICATIONS

- Suitable for all domestic and commercial two position (open, closed) applications under 2.5 Nm.
- Suitable for all Exact Air Regulators and Advantage Air barrel dampers 150 dia to 550.

DIMENSIONS



CONTROLS

EXTRA LOW VOLTAGE - CLIP IN 24 VOLT DAMPER MOTORS — INSTALLATION INSTRUCTIONS

AdvantageAir



APPLICATION

- The CLIP24 damper actuator is a 24V AC drive open drive close damper actuator.
- Used to control air flow in low pressure air conditioning ducts.
- This product is designed specifically to be used on Advantage Air's range of Exact Air Regulators and is pre-installed onto the Exact Air Regulator damper.

SPECIFICATION

- ELECTRICAL RATING: 24 VAC 50 Hz 5VA.
- TORQUE: 2.5Nm.
- ACTUATOR CYCLE TIME: 16s (from fully open to fully closed).

WIRING

Connect 24V AC using standard low cost RJ11 cables.

WARNING !

- DO NOT CONNECT ANY OTHER MOTOR OR DEVICES ONTO THE SAME SWITCH!
- DO NOT ATTEMPT TO SIMULATE OPERATION OF THE DAMPER ACTUATOR BY ROTATING THE CONNECTION COUPLING AND/OR DAMPER BLADES.

ABUSE OF THIS NATURE CAN RESULT IN PERMANENT DAMAGE TO THE DAMPER ACTUATOR.

